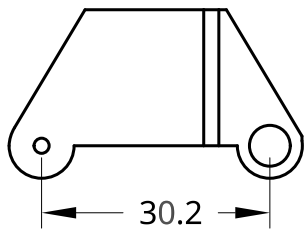
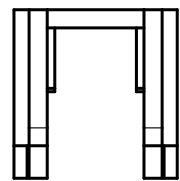
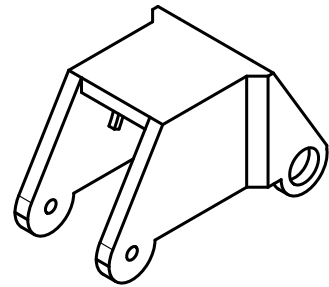
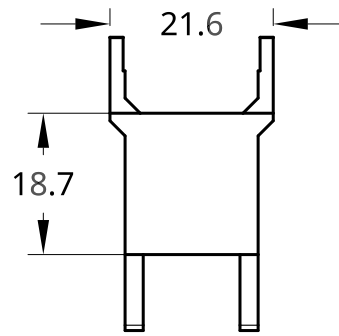


2

1



B

B



A

A

UNLESS OTHERWISE SPECIFIED, DIMENSIONS ARE IN MILLIMETERS ANGULAR = ± ° SURFACE FINISH  DO NOT SCALE DRAWING BREAK ALL SHARP EDGES AND REMOVE BURRS THIRD ANGLE PROJECTION 		NAME	DATE			
	DRAWN	Nelson Phillips	04/21/2018	TITLE ----- ----- -----		
	CHECKED					
	APPROVED					
	MATERIAL	FINISH	SIZE	DWG NO.	REV.	
		A	-----	-		
		SCALE 1:1	WEIGHT	SHEET	1 of 1	

2

1